



MATERIALS



Galvanised Steel

- strength of steel
- very slim sidelines
- infinite range of color options
- solution for each specific project requirement
- suitable for fire rated elements





secco

Stainless Steel

- excellent for harsh environments
- high corrosion resistance
- maintenance free
- low thermal transmittance
- high strength





secco

Cor-ten Steel

- rare aesthetic value
- unique finished frame
- exclusive
- corrosion resistant (Cor)
- high tensile strength (Ten)



Bronze/Brass

- brass alloy to be polished or burnished
- corrosion resistant
- high aesthetic value
- natural oxidation
- rich dark brown color
- living and ever changing finish



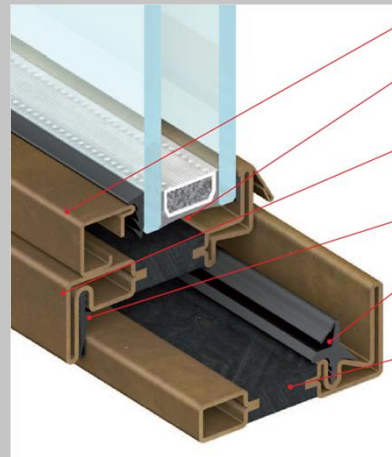


PRODUCTS



OS2: the system for architectural windows

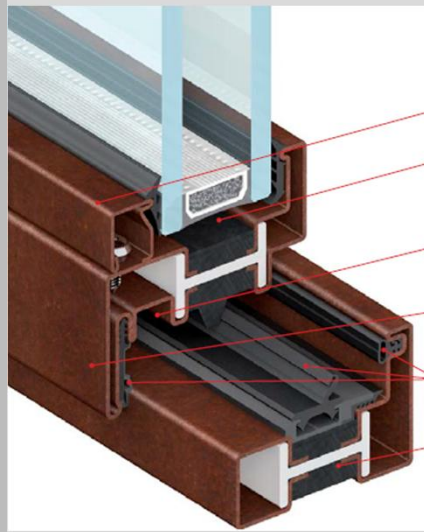
- ❑ provides energy efficiency
- ❑ allow architectural integration
- ❑ require low maintenance
- ❑ the slimmest thermally broken steel system





EBE65: elegance combined with performance

- ❑ designed to reach very high tightness levels
- ❑ very strong system
- ❑ flexible in the design
- ❑ suitable for fire rated doors





EBE85: highest thermal and acoustic values

- designed to allocate triple glazing
- for high acoustic and thermal requirements
- allow to build very large elements
- high static resistance

